

General Installation Instructions

Do not unpack the waveguide assembly until you are ready to install it. This will prevent damage to the external threads on the bushing.

1. Prepare the shield room wall or the ground plane by boring mounting holes 1-5/32" (1.156") diameter in the desired location. Any adjacent holes should be no closer than 2".
2. Clean and de-burr the area around the mounting holes to insure suitable electrical contact and a tight seal with the waveguide mounting nuts.
3. Unpack the waveguide assembly taking care not to damage the threaded bushing.
4. Loosen the 1/4" cap screw which retains the plug in the bushing (approximately 2 turns).
5. Tap the end of the cap screw until the plug separates from the bushing.
6. Remove the cap screw and the washer and store in a safe place for future use.
7. Remove the plug from the bushing. The plug is fastened to one of the mounting nuts by a short cable to prevent damage to its surface after installation and also to prevent injury during subsequent removal. It is not necessary to disconnect the cable from either the mounting nut or the plug.
8. Remove the free mounting nut from the bushing.
9. Place the bushing through the mounting holes so that the cable is facing away from the mounting surface.
10. Replace the mounting nut on the opposite side of the mounting surface. Center the bushing by holding the nut and rotating the bushing until there are equal threads on both ends.
11. At this point the waveguide is in place with the plug hanging by its cable on one side. If the installation appears to be acceptable, tighten the mounting nut opposite from the plug end with a 1-1/2" socket wrench to a maximum torque of 85 foot-pounds or the maximum torque that the wall can withstand without crushing.
12. Install the fiber optic cables by inserting the connectors one at a time through the center bore of the bushing, and then push the cables into the grooves around the edges.
13. After all of the fiber optic cables have been installed (do not overfill the waveguide bores), insert the plug into the center bore taking care not to damage the cables.
14. Press the plug firmly to lock it into place.
15. Install the cap screw and washer into the plug carefully so as to not push the plug out the other side.
16. Torque the cap screw to 6 foot-pounds.
17. Plug may be removed for the addition or removal of fiber optic cables and then reinstalled as required.

DO NOT HEAT OR WELD THIS FILTER. DAMAGE MAY RESULT.

Warranty, Service and Terms and Conditions of Sale

For information about Warranty or Service information, please see our published 'Terms and Conditions of Sale'. This document is available on fiberplex.com or can be obtained by requesting it from clients@fiberplex.com or calling 301.604.0100.

Disposal

Disposal of Packing Materials

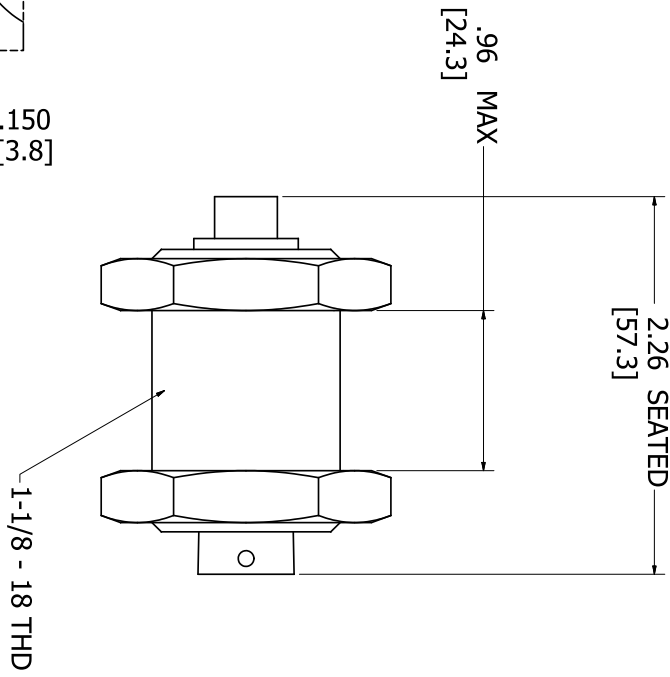
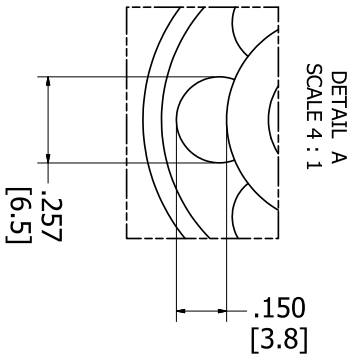
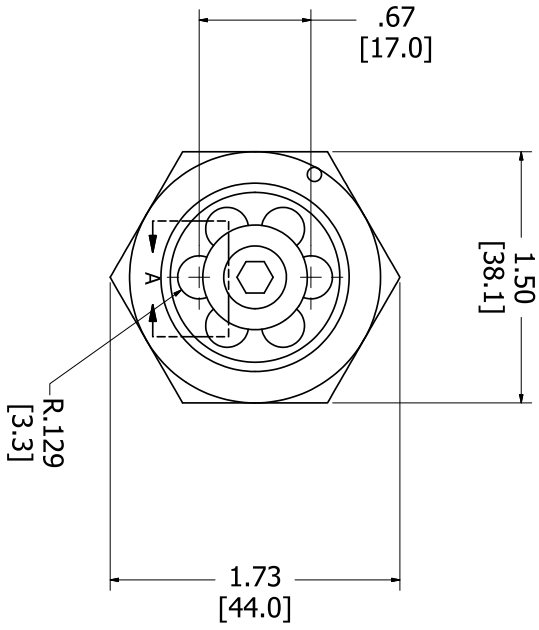
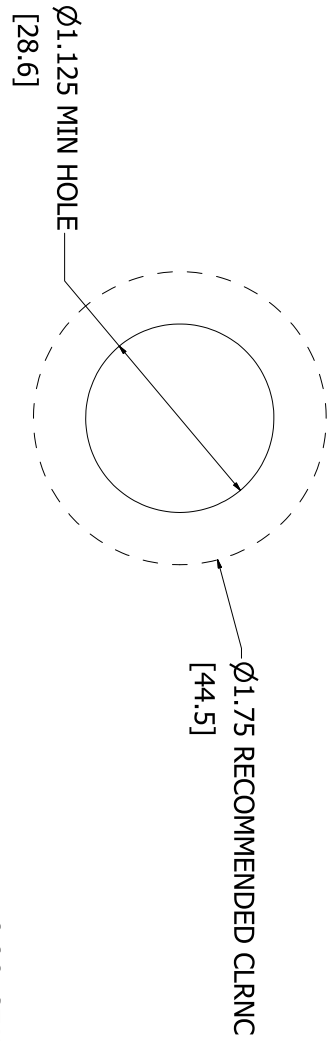
The packing materials have been selected with environmental and disposal issues in mind. All packing material can be recycled. Recycling packing saves raw materials and reduces the volume of waste. If you need to dispose of the transport packing materials, recycling is encouraged.

Disposal of Used Equipment

Used equipment contains valuable raw materials as well as substances that must be disposed of professionally. Please dispose of used equipment via an authorized specialist dealer or via the public waste disposal system, ensuring any material that can be recycled has been. Please take care that your used equipment cannot be abused. After having disconnected your used equipment from the mains supply, make sure that the mains connector and the mains cable are made useless.

Disclaimer

The information in this document has been carefully checked and is believed to be accurate at the time of publication. However, no liability is assumed by FiberPlex for inaccuracies, errors, or omissions, nor for loss or damage resulting either directly or indirectly from use of the information contained herein.



THIS DRAWING CONTAINS PROPRIETARY AND CONFIDENTIAL INFORMATION OF FIBERPLEX TECHNOLOGIES, LLC AND SHALL NOT BE USED, DISCLOSED OR REPRODUCED, IN WHOLE OR IN PART, WITHOUT THE PRIOR WRITTEN CONSENT OF FIBERPLEX TECHNOLOGIES. TITLE IN AND TO THIS DOCUMENT AND ALL INFORMATION CONTAINED HEREIN REMAINS AT ALL TIMES IN FIBERPLEX TECHNOLOGIES.

Unless otherwise specified	
Dimensions in inches	
Tolerance	
Finish	
XXX	+/- .001
XXXX	+/- .0005
Material:	WGF-6
Finish:	WGF-6 Rev. -
	Sheet 1 of 1