

General Installation Instructions

Do not unpack the waveguide assembly until you are ready to install it. This will prevent damage to the external threads on the bushing.

1. Prepare the shield room wall or the ground plane by boring mounting holes 1-5/32" (1.156") diameter in the desired location. Any adjacent holes should be no closer than 2".
2. Clean and de-burr the area around the mounting holes to insure suitable electrical contact and a tight seal with the waveguide mounting nuts.
3. Unpack the waveguide assembly taking care not to damage the threaded bushing.
4. Remove one of the two mounting nuts from the bushing.
5. Place the bushing through the mounting holes.
6. Replace the mounting nut on the opposite side of the mounting surface. Center the bushing by holding the nut and rotating the bushing until there are equal threads on both ends.
7. At this point the waveguide is in place. If the installation appears to be acceptable, tighten one of the mounting nuts with a 1-1/2" socket wrench to a maximum torque of 85 foot-pounds or the maximum torque that the wall can withstand without crushing.
8. Install the fiber optic cables by inserting the connectors one at a time through the bores of the bushing. Note that connectors larger than 0.38" at its widest point will not fit through the bores. In this case, you may thread the raw fiber optic cable through the bushing and then terminate with the desired connector afterward.

DO NOT HEAT OR WELD THIS FILTER. DAMAGE MAY RESULT.

Warranty, Service and Terms and Conditions of Sale

For information about Warranty or Service information, please see our published 'Terms and Conditions of Sale'. This document is available on fiberplex.com or can be obtained by requesting it from clients@fiberplex.com or calling 301.604.0100.

Disposal

Disposal of Packing Materials

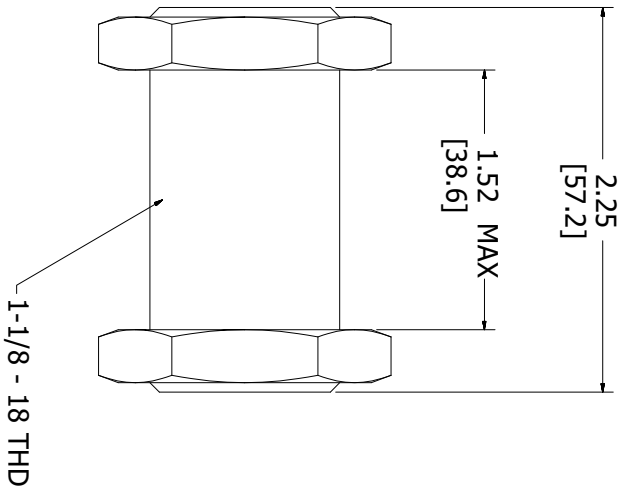
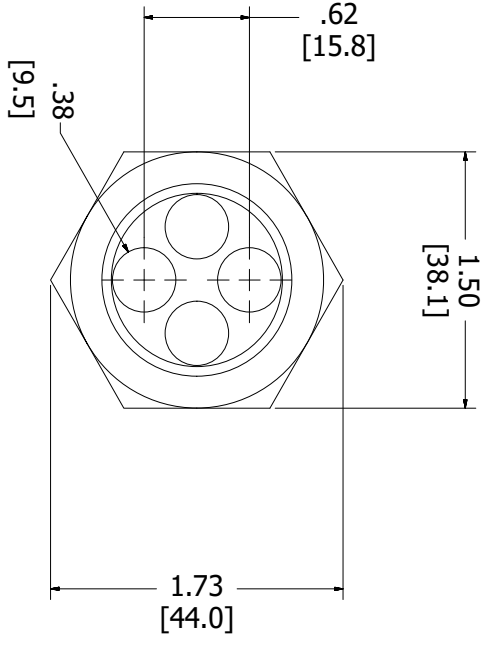
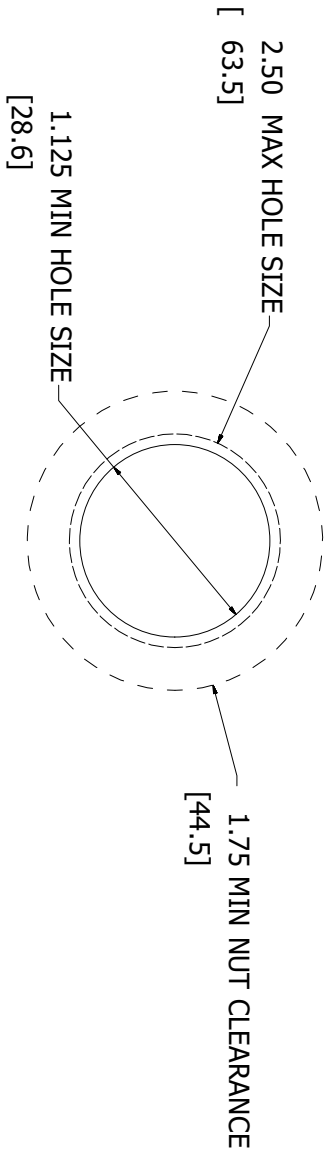
The packing materials have been selected with environmental and disposal issues in mind. All packing material can be recycled. Recycling packing saves raw materials and reduces the volume of waste. If you need to dispose of the transport packing materials, recycling is encouraged.

Disposal of Used Equipment

Used equipment contains valuable raw materials as well as substances that must be disposed of professionally. Please dispose of used equipment via an authorized specialist dealer or via the public waste disposal system, ensuring any material that can be recycled has been. Please take care that your used equipment cannot be abused. After having disconnected your used equipment from the mains supply, make sure that the mains connector and the mains cable are made useless.

Disclaimer

The information in this document has been carefully checked and is believed to be accurate at the time of publication. However, no liability is assumed by FiberPlex for inaccuracies, errors, or omissions, nor for loss or damage resulting either directly or indirectly from use of the information contained herein.



THIS DRAWING CONTAINS PROPRIETARY AND CONFIDENTIAL INFORMATION OF FIBERPLEX TECHNOLOGIES, LLC AND SHALL NOT BE USED, DISCLOSED OR REPRODUCED, IN WHOLE OR IN PART, WITHOUT THE PRIOR WRITTEN CONSENT OF FIBERPLEX TECHNOLOGIES. TITLE IN AND TO THIS DOCUMENT AND ALL INFORMATION CONTAINED HEREIN REMAINS AT ALL TIMES IN FIBERPLEX TECHNOLOGIES.

Unless otherwise specified		Engineer: K. Stedman	Date: 4/20/15
Dimensions in inches		Drawn: K. Stedman	Date: 4/20/15
Tolerances:		Checked:	Date:
Fractional ±.164		Reviewed:	Date:
X.xxx ±.005		Revised:	Date:
Material:	Finish:	WG4	
		SIZE: C	WG4 Rev: -
		Scale: 2:1	Sheet 1 of 1