

fiberplex
TECHNOLOGIES, LLC

USER MANUAL

Flexible Interface Dual RX/TX SFP/SFP+ Workbox
FOI-6012 / TD-6012

Warning for Your Protection

1. Read these instructions.
2. Keep these instructions.
3. Heed all warnings.
4. Follow all instructions.
5. Do not use this apparatus near water.
6. Clean only with a dry cloth.
7. Do not block any of the ventilation openings. Install in accordance with the manufacturer's instructions.
8. Do not install near any heat sources such as radiators, heat registers, stoves, or other apparatus (including amplifiers) that produce heat.
9. Do not defeat the safety purpose of the polarized or grounding-type plug. A polarized plug has two blades with one wider than the other. A grounding type plug has two blades and a third grounding prong. The wide blade or the third prong is provided for your safety. If the provided plug does not fit into your outlet, consult an electrician for replacement of the obsolete outlet.
10. Protect the power cord from being walked on or pinched, particularly at plugs, convenience receptacles, and the point where they exit from the apparatus.
11. Only use attachments/accessories specified by the manufacturer.
12. Use only with the cart, stand, tripod, bracket, or table specified by the manufacturer, or sold with the apparatus. When a cart is used, use caution when moving the cart/apparatus combination to avoid injury from tip-over.
13. Unplug this apparatus during lightning storms or when unused for long periods of time.
14. Refer all servicing to qualified service personnel. Servicing is required when the apparatus has been damaged in any way, such as power-supply cord or plug is damaged, liquid has been spilled or objects have fallen into the apparatus, the apparatus has been exposed to rain or moisture, does not operate normally, or has been dropped.

The apparatus shall not be exposed to dripping or splashing. No objects filled with liquids, such as vases, shall be placed on the apparatus.

"WARNING: To reduce the risk of fire or electric shock, do not expose this apparatus to rain or moisture."

General Installation Instructions

Please consider these general instructions in addition to any product-specific instructions in the "Installation" chapter of this manual.

Unpacking

Check the equipment for any transport damage. If the unit is mechanically damaged, if liquids have been spilled or if objects have fallen into the unit, it must not be connected to the AC power outlet, or it must be immediately disconnected by unplugging the power cable. Repair must only be performed by trained personnel in accordance with the applicable regulations.

Installation Site

Install the unit in a place where the following conditions are met:

- The temperature and the relative humidity of the operating environment must be within the specified limits during operation of the unit. Values specified are applicable to the air inlets of the unit.
- Condensation may not be present during operation. If the unit is installed in a location subject to large variations of ambient temperature (e.g. in an OB-van), appropriate precautions must be taken.
- Unobstructed airflow is essential for proper operation. Ventilation openings of the unit are a functional part of the design and must not be obstructed in any way during operation (e.g. - by objects placed upon them, placement of the unit on a soft surface, or improper installation of the unit within a rack or piece of furniture).
- The unit must not be unduly exposed to external heat sources (direct sunlight, spot lights).

Ambient Temperature

Units and systems by FiberPlex are generally designed for an ambient temperature range (i.e. temperature of the incoming air) of 5 °C to 40 °C (41 °F to 104 °F). When rack mounting the units, the following facts must be considered:

- The permissible ambient temperature range for operation of the semiconductor components is 0 °C to +70 °C (32 °F to 158 °F) (commercial temperature range for operation).
- The airflow through the installation must allow exhaust air to remain cooler than 70 °C (158 °F) at all times.
- Average temperature increase of the cooling air shall be about 20 °C (68 °F), allowing for an additional maximum 10 °C increase at the hottest components.

If the cooling function of the installation must be monitored (e.g. for fan failure or illumination with spot lamps), the exhaust air temperature must be measured directly above the modules at several places within the enclosure.

Grounding and Power Supply

Grounding of units with mains supply (Class I equipment) is performed via the protective earth (PE) conductor integrated in three-pin Phoenix™ connector. Units with battery operation (< 60 V, Class III equipment) must be earthed separately. Grounding the unit is one of the measures for protection against electrical shock hazard (dangerous body currents). Hazardous voltage may not only be caused by defective power supply insulation, but may also be introduced by the connected audio or control cables.

This equipment may require the use of a different line cord, attachment plug, or both, depending on the available power source at installation. If the attachment plug needs to be changed, refer servicing to qualified personnel.

Warranty, Service and Terms and Conditions of Sale

For information about Warranty or Service information, please see our published 'Terms and Conditions of Sale'. This document is available on fiberplex.com or can be obtained by requesting it from clients@fiberplex.com or calling 301.604.0100.

Disposal

Disposal of Packing Materials

The packing materials have been selected with environmental and disposal issues in mind. All packing material can be recycled. Recycling packing saves raw materials and reduces the volume of waste. If you need to dispose of the transport packing materials, recycling is encouraged.

Disposal of Used Equipment

Used equipment contains valuable raw materials as well as substances that must be disposed of professionally. Please dispose of used equipment via an authorized specialist dealer or via the public waste disposal system, ensuring any material that can be recycled has been. Please take care that your used equipment cannot be abused. After having disconnected your used equipment from the mains supply, make sure that the mains connector and the mains cable are made useless.

Disclaimer

The information in this document has been carefully checked and is believed to be accurate at the time of publication. However, no liability is assumed by FiberPlex for inaccuracies, errors, or omissions, nor for loss or damage resulting either directly or indirectly from use of the information contained herein.

Notice

The firmware included in this product utilizes the Atmel Software Framework (ASF), Copyright (c) 2011 - 2012 Atmel Corporation. All rights reserved.

Redistribution and use in source and binary forms, with or without modification, are permitted provided that the following conditions are met:

1. Redistributions of source code must retain the above copyright notice, this list of conditions and the following disclaimer.
2. Redistributions in binary form must reproduce the above copyright notice, this list of conditions and the following disclaimer in the documentation and/or other materials provided with the distribution.
3. The name of Atmel may not be used to endorse or promote products derived from this software without specific prior written permission.
4. This software may only be redistributed and used in connection with an Atmel micro-controller product.

THIS SOFTWARE IS PROVIDED BY ATMEL "AS IS" AND ANY EXPRESS OR IMPLIED WARRANTIES, INCLUDING, BUT NOT LIMITED TO, THE IMPLIED WARRANTIES OF MERCHANTABILITY, FITNESS FOR A PARTICULAR PURPOSE AND NON-INFRINGEMENT ARE EXPRESSLY AND SPECIFICALLY DISCLAIMED. IN NO EVENT SHALL ATMEL BE LIABLE FOR ANY DIRECT, INDIRECT, INCIDENTAL, SPECIAL, EXEMPLARY, OR CONSEQUENTIAL DAMAGES (INCLUDING, BUT NOT LIMITED TO, PROCUREMENT OF SUBSTITUTE GOODS OR SERVICES; LOSS OF USE, DATA, OR PROFITS; OR BUSINESS INTERRUPTION) HOWEVER CAUSED AND ON ANY THEORY OF LIABILITY, WHETHER IN CONTRACT, STRICT LIABILITY, OR TORT (INCLUDING NEGLIGENCE OR OTHERWISE) ARISING IN ANY WAY OUT OF THE USE OF THIS SOFTWARE, EVEN IF ADVISED OF THE POSSIBILITY OF SUCH DAMAGE.

Introduction

The true “Swiss Army Knife” of fiber optic transport, the FOI-6012 in conjunction with any combination of a myriad of FiberPlex or third party SFP/SFP+ (Small Form-Factor Pluggable) optical & electrical modules, allows you to transport what you want, when you want it, how you want it, wherever you want it; all over one product solution... The FiberPlex FOI-6012 and SFP/ SFP+ module should be in everyone’s toolbox.

Key Features

- Ultra flexible SFP+ to SFP+ Dual TX/RX interface
- Supports Data Rates up to 12.5 Gbps
- USB interface for full access to all SFP standard and custom registers
- Limitless Conversion applications including but not limited to:
 - Video distribution
 - Analog Video to Fiber Conversion
 - SD-SDI (composite) to HD video conversion
 - MADI to Fiber Conversion
 - OM1/OM2 to OM3 Multi-mode Conversion
 - Optical Repeater
 - Multimode to Singlemode Fiber Conversion

Theory of Operation

Many sorts of interfaces, not just fiber, are now available in the SFP/SFP+ format, including Full HD video and networking. On the user, connector side, they support the signals appropriate to those protocols, but then convert them internally to a standard stream of high-speed serial data. The FOI/TD-6012 connects those standard streams together, so that the different interface protocols can talk the same language.

Since the fiber-based SFPs are the most generic, it is usually possible to connect, not only two different copper interfaces together in the same FOI/TD-6012, but also to interpose a fiber link between them. Since the range of signals over fiber is so much greater than that of copper, this allows significant expansion of the range of those protocols.

SFPs also have an additional, low-speed serial interface that provides identification, monitoring and also control of the devices through the processor in the FOI/TD-6012.

The FOI-6012 and TD-6012 support dual transmit and dual receive SFP and SFP+ ONLY. For standard MSA and non-MSA transceivers use the FOI-6010 or TD-6010.

Differences between FOI-6012 and TD-6012

Functionally, the FOI-6012 and TD-6012 are identical. The only differences are the packaging and power supply. The FOI-6012 is part of the FOI line of products designed for ruggedized mil applications. It is housed in the familiar FOI shielded can enclosure. For standalone applications it can be powered by adding a PSQ-4909 AC supply or a PSQ-4920 DC power supply (not included). Optionally, up to 8 FOI units can be mounted on CMA chassis adapters and installed in an RMC-3101 or RMC-2101 rack mount chassis. The units are powered redundantly by a common back plane connection.

The TD-6012 is housed in the commercial ‘Throw Down’ packaging. This version is designed to be a workhorse unit in various commercial and industrial environments. It is powered either by a 9VDC ‘Wall Wart’ style supply (included) or via bussed power supplied through an integrated three-pin Phoenix™ connector. Up to six TD-6012 units can be installed in the optional 1U TDR-01 rack shelf.

Getting Started

Initial Inspection

Immediately upon receipt, inspect the shipping container for damage. The container should be retained until the shipment has been checked for completeness and the equipment has been checked mechanically and electrically. If the shipment is incomplete, if there is mechanical damage, or if the unit fails to operate notify FiberPlex and make the shipping materials available for the carrier's inspection.

Front Indicators/Connections

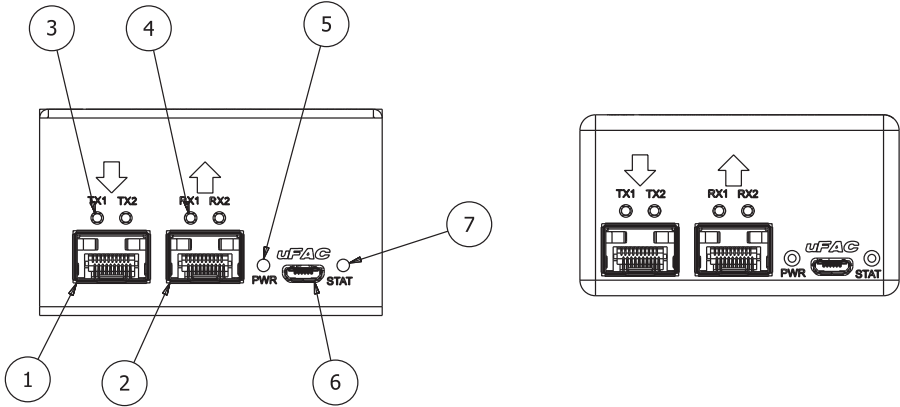


Figure 1 TD-6012 (left) and FOI-6012 (right) Front Face

1 SFP Port A – Install SFPs in this slot. These slots support dual TX or dual RX SFPs ONLY. Any non-MSA compliant dual transmit or dual receive SFP can be used in these slots including but not limited to optical modules with data rates in the range of 155Mbps to 12.5 Gbps, video copper modules, copper quadrx SFP to SFP cables, etc.

Each channel is independent and will accept any format and any user supplied SFP module that is appropriate for the user's equipment. Above 500 Mbps, ultra-low jitter SFP's are recommended (40 psec.) as well as ITU-T G.652.D/IEC 60793-2-50.B1.3 compliant fiber optic cable.

2 SFP Port B – A second SFP slot functionally equivalent to SFP Port A. Any SFP installed in this slot will be directly electrically connected to the SFP in Port A. Any signals presented in the Receive of Port B will exit on the Transmit of Port A.

3 TX Fault **4 RX Detect** – There is one pair of these LED indicators associated with each SFP slot on the unit. They correspond to the slot directly below. Color indications can be interpreted using the following table:

TX Fault	RX Detect	SFP Installed	Transmitter Functioning*	Receive Signal Present*
Off	Off	No	n/a	n/a
Red	Red	Yes	No	No
Red	Green	Yes	No	Yes
Green	Red	Yes	Yes	No
Green	Green	Yes	Yes	Yes

*Note that some copper Ethernet and Video SFPs may have custom TX Fault and RX Detect implementations. See SFP documentation of individual SFP for more information.

5 Power – LED which indicates the presence of DC power in the unit. Note that on start-up, the unit will perform a quick lamp check, flashing all LEDs

Power Indicator	
Off	No power from the external supply or internal fault
Blue	Power supply is operating properly

6 **uFAC** – USB 2.0 Micro-B connector for configuration and monitoring of SFP registers. **This function is not currently implemented.**

7 **Status** – LED which indicates the health status of the unit. The LED can be interpreted according to the following table.

Status Indicator	
Off	If Power LED is on, there is an internal failure inside the FOI. Replace
Green	Power supply is operating properly
Amber	At limit of normal range of temperature, apply more cooling to the unit
Red	Exceeding temperature limits or internal failure

Rear Indicators/Connections

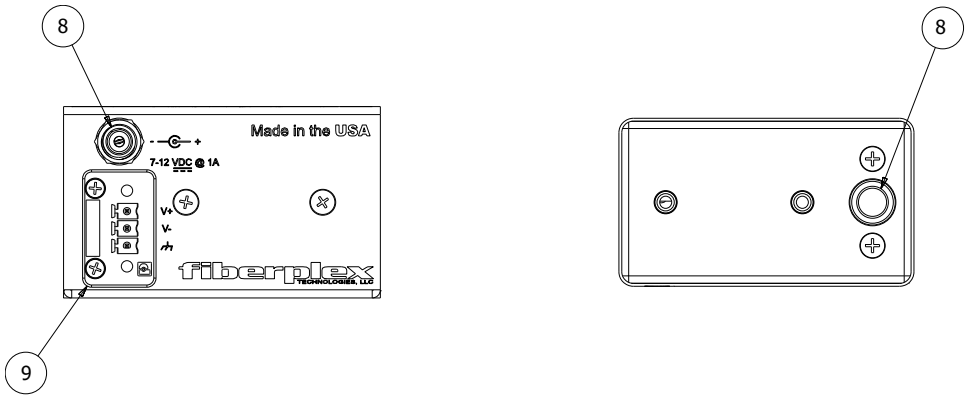


Figure 2 TD-6012 (left) and FOI-6012 (right) Rear Face

8 **Circular DC Power Connection** – DC power entry for the unit. On the FOI-6012 this is a Lemo connector designed to interface with either a PSQ power module or RMC chassis. On the TD-6012 this is a standard DC connection for use with the included DC wall power supply.

9 **Phoenix CD Power Connection** – Secondary power option for the TD-6012. This is wired in direct parallel with the Circular connector and has the addition of a positive earth chassis ground connection. This can be used to power the unit on a client supplied power buss.

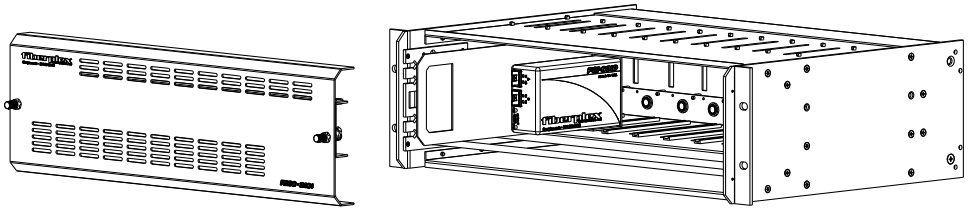


Figure 3 FOI Module Installed in an RMC-3101 Chassis

Power Requirements and Mounting

Flexible mounting allows the FOI-6012 to be chassis mounted or standalone configuration. Any combination of 8 FiberPlex FOI units can be mounted in a RMC-3101 using CMA-2001 chassis mount adapters. The RMC-3101 can accommodate hot swapped redundant power. Alternately, the FOI-6012 can be used in a standalone application when paired with a PSQ-4909 for full range AC operation or the PSQ-4920 for 12-48VDC operation.

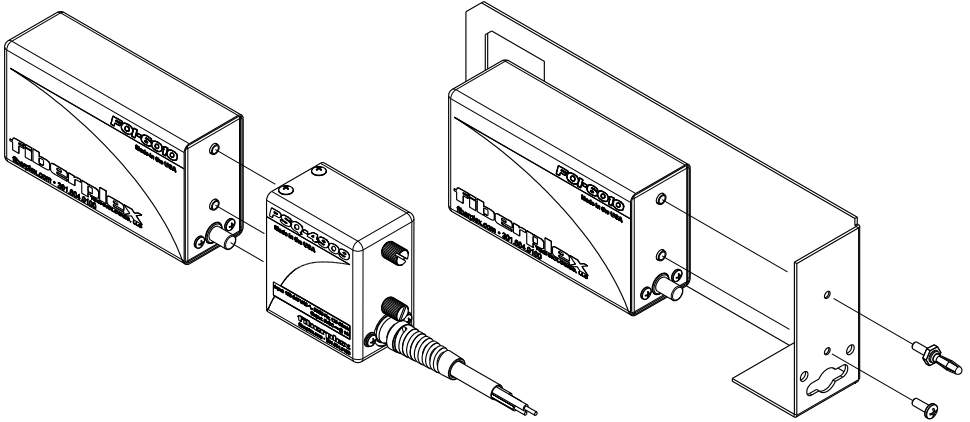


Figure 4 FOI Module with PSQ-4909 (left) and with CMA-3002 (right)

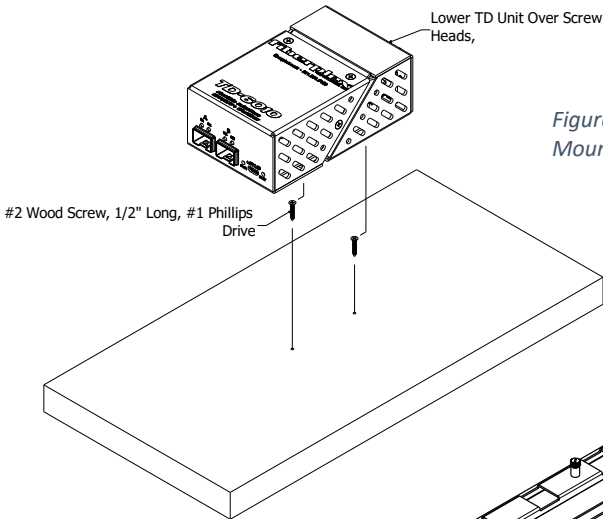


Figure 5 Installing a TD Module Using Mounting Slots

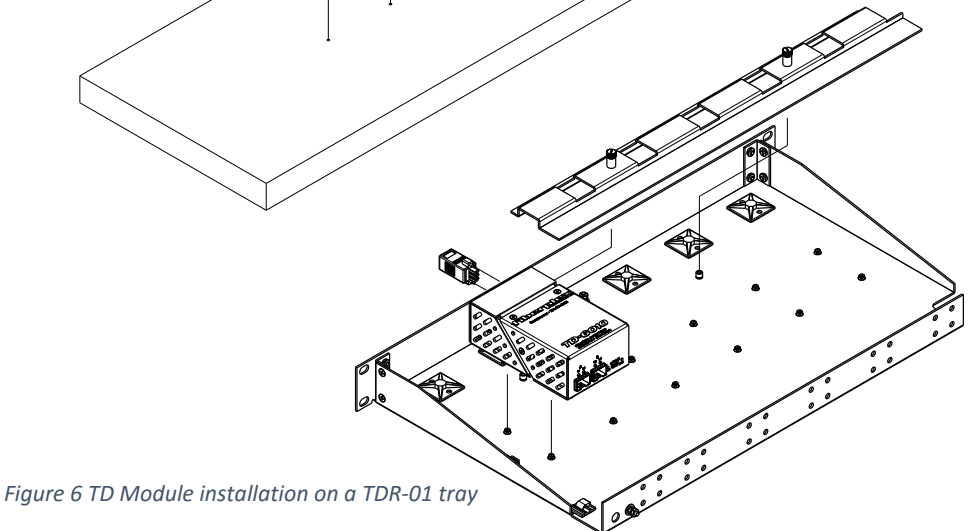


Figure 6 TD Module installation on a TDR-01 tray

Inserting and Removing SFP Modules



Handling Warnings

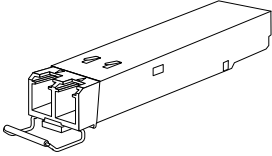
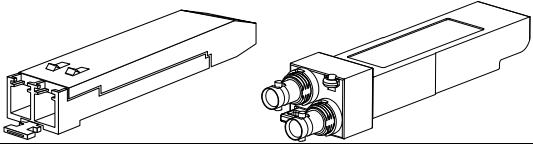
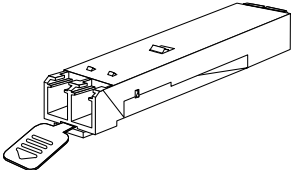
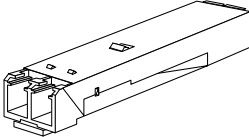
SFP Modules are static sensitive. To prevent damage from electrostatic discharge (ESD), it is recommended to attach an ESD preventative wrist strap to your wrist and to a bare metal surface when you install or remove an SFP Module.

Disconnect all optical or copper cables from SFP Modules prior to installing or removing the SFP Module. Failure to do so could result in damage to the cable, cable connector or the SFP Module itself. Removing and inserting an SFP Module can shorten its useful life, so you should not remove and insert SFP Modules any more often than is absolutely necessary.

Protect optical SFP modules by inserting clean dust covers into them after the cables are removed. Be sure to clean the optic surfaces of the fiber cables before you plug them back into the optical ports of another SFP module. Avoid getting dust and other contaminants into the optical ports of your SFP modules, because the optics will not work correctly when obstructed with dust.

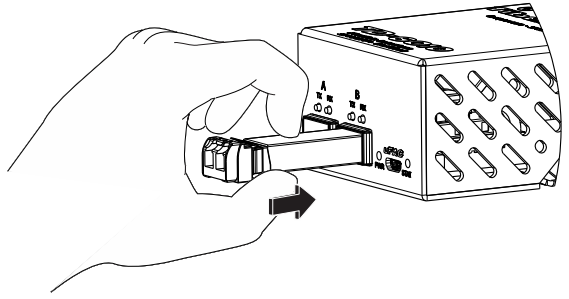
Identify the Latch Type of the SFP Module

SFP Modules have various latching mechanisms to secure them into the SFP Cage of a device. The FiberPlex WDM can support a host of manufacturers and brands of SFP Modules so the user may encounter any number of different latches. Some of these are described below.

<p>Bail Clasp</p> <p>The bail clasp SFP module has a clasp that you use to remove or install the SFP module.</p> 	<p>Actuator Button</p> <p>The actuator button SFP module includes a button that you push in order to remove the SFP module from a port. This button can either lift 'Up' or press 'In' to release the SFP Module depending on the manufacturer.</p> 
<p>Mylar Tab</p> <p>The Mylar tab SFP module has a tab that you pull to remove the module from a port.</p> 	<p>Slide Tab</p> <p>The slide tab SFP module has a tab underneath the front of the SFP module that you use to disengage the module from a port.</p> 

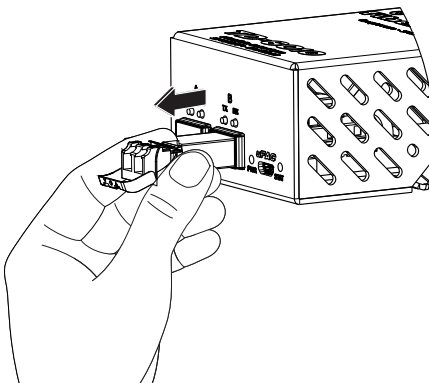
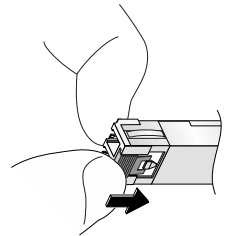
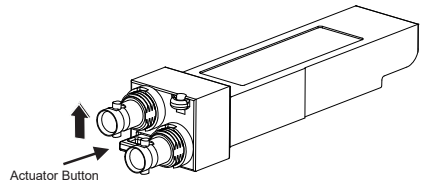
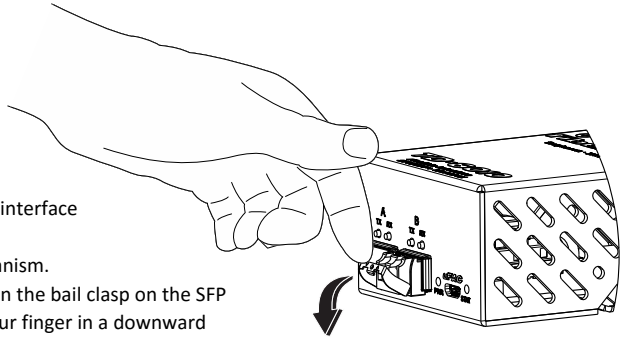
Inserting a Module

- 1) Attach an ESD-preventative wrist or ankle strap, following its instructions for use.
- 2) Disconnect and remove all interface cables from SFP Module.
- 3) If the SFP Module has a Bail Clasp, close the Bail Clasp before inserting the SFP Module.
- 4) With the gold finger connector on the bottom and the label on the top, line up the SFP Module with the empty cage and slide it in making sure that it is completely inserted and seated in the cage.



Removing a Module

- 1) Attach an ESD-preventative wrist or ankle strap, following its instructions for use.
- 2) Disconnect and remove all interface cables from SFP Module.
- 3) Release the latching mechanism.
 - Bail Clasp – Open the bail clasp on the SFP Module with your finger in a downward direction.
 - Actuator Button – Gently press the actuator up (or in) while pulling the body of the SFP Module to release the SFP Module from the cage.
 - Mylar Tab – Pull the tab gently in a straight outward motion until it disengages from the port. Make sure the tab is not twisted when pulling as it may become disconnected from the SFP Module.
 - Slide Tab - With your thumb, push the slide tab on the bottom front of the SFP module in the direction of the equipment to disengage the module from the line card port. If you pull on the SFP module without disengaging the tab, you can damage the SFP module.



- 4) Grasp the SFP Module between your thumb and index finger and carefully remove it from the port
- 5) Place the SFP Module on an antistatic mat, or immediately place it in a static shielding bag or container

Other Considerations

USB FiberPlex Auxiliary Control (uFAC) Interface

The FOI-6012 includes a uFAC (FiberPlex Auxiliary Control over USB) interface which allows read write access to status and parameter registers in both installed SFP/ SFP+ modules if supported by Fiberplex.

This port communicates over a USB 2.0-compliant, full speed connection, via a USB Micro-B connector. It enumerates as a custom Fiberplex device, requiring its own driver. Please contact Fiberplex Technologies for details and availability of the applications built around this interface.

Although power can be supplied across the port, it is recommended that the appropriate external supply for the TD/FOI-6012 be used. Power supplied through the USB port itself is not sufficient to power the device with SFPs installed.

Video Optimization

The Society of Motion Picture and Television Engineers, or SMPTE, is a leader in the development of standards for film, television, and other video. The Serial Digital Interface or SDI, was standardized by SMPTE for broadcast quality digital video transmission. Other standards evolved from this original standard, defining Enhanced, High-definition (HD), 3G-SDI (1080p) and Ultra High-definition (UHD), or 4K video (2160p).

To help ensure error-free transmission, the standards include a data scrambler / descrambler to create a high density of transitions in the serial data, making it easier for the receiver to maintain timing. Where an encoding method such as 8B-10B ensures a minimal sequential run of all ones or zeros, it does so at the cost of a 25% increase in bandwidth requirements. The scrambler / descrambler method does not require this, but as a result there are certain combinations of scrambler state and the next data bits to be scrambled that result in a sequence of up to twenty consecutive ones or zeros. These sequences are referred to as pathological conditions, and are present in specific shades of pink or grey.

These pathological conditions may create errors in transmission through typical AC coupled optics, or any other AC coupled interface. Video Enhanced or SMPTE Compliant optics are designed to accept these pathological conditions, allowing the longer sequences of ones or zeros to pass without error.

SFP MSA Compliance

The SFP Multi-Source Agreement (MSA) is an agreement that was drafted among competing manufacturers of SFP optical modules. The SFF Committee was formed to oversee the creation and maintenance of these agreements including the SFP MSA designated as INF-8074i. This agreement describes a mutually agreed upon standard for the form and function of SFP modules. However, not all SFPs produced are MSA compliant. The MSA provides for a transceiver (TX/RX) pinout. Other industries such as broadcast had the need for dual TX and dual RX SFP for unidirectional applications such as video. Naturally, a non-MSA standard was introduced allocating pinout assignments for dual output and dual input I/O configurations. In addition, the some of the internal serial communication pins were reassigned.

The FOI/TD-6012 will only accept non-MSA Dual TX and Dual RX pinout schemes. The following table shows the differences in these pinouts.

Pinout Comparison Chart

PIN	Transceiver (MSA)	Transceiver (Non-MSA)	Dual TX (Non-MSA)	Dual RX (Non-MSA)
1	VEE	VEE	VEE	VEE
2	TX_FAULT [VEE]	VEE	NC	Rx2-
3	TX_DIS	NC	NC	Rx2+
4	MOD_DEF(2) - SDA	VEE	VEE	VEE
5	MOD_DEF(1) - SCL	SCL	SCL	SCL
6	MOD_DEF(0) - PRESENCE [VEE]	SDA	SDA	SDA
7	Rate [NC]	VEE	VEE	VEE
8	LOS	RX1_LOS	Tx2+	NC
9	VEE	NC	Tx2-	NC
10	VEE	NC	Tx2_DIS	NC
11	VEE	VEE	VEE	VEE
12	RD-	Rx1-	NC	Rx1-
13	RD+	Rx1+	NC	Rx1+
14	VEE	VEE	VEE	VEE
15	VCC	VCC	VCC	VCC
16	VCC	VCC	VCC	VCC
17	VEE	VEE	VEE	VEE
18	TD+	Tx1+	Tx1+	NC
19	TD-	Tx1-	Tx1-	NC
20	VEE	Tx1_DIS	Tx1_DIS	NC

Specifications

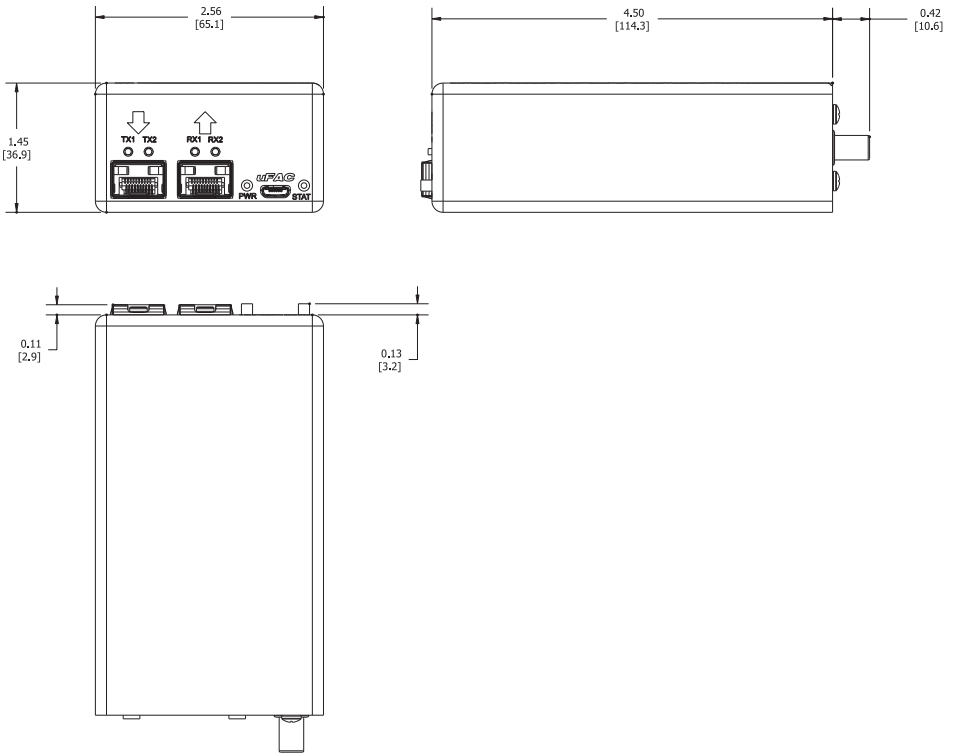


Figure 7 FOI-6012 Dimensions

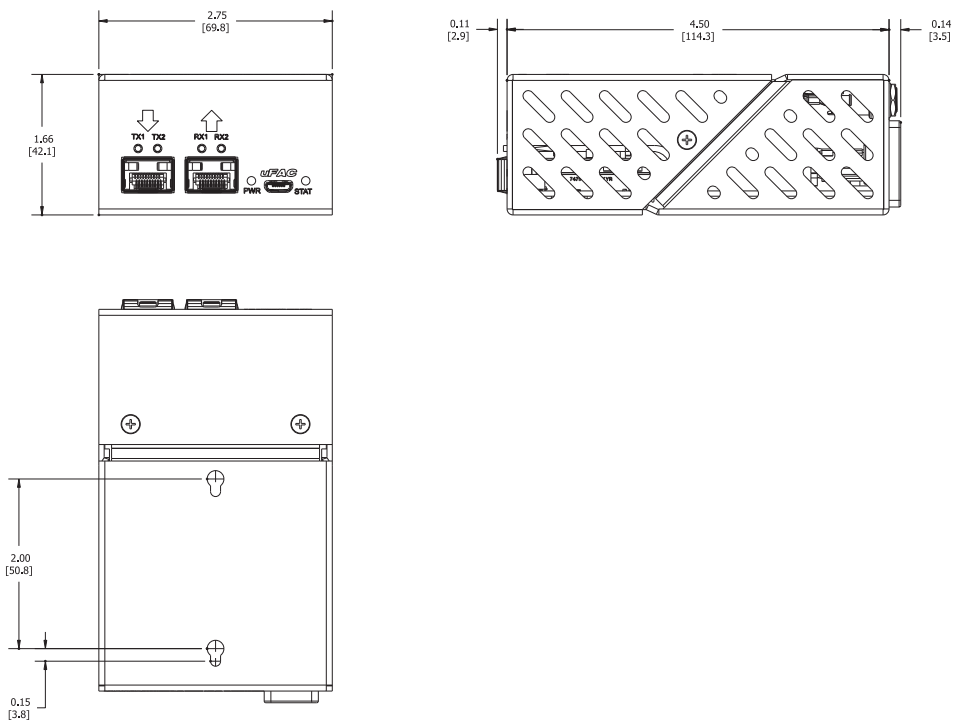


Figure 8 TD-6012 Dimensions

ELECTRICAL SPECIFICATIONS					
Power Requirement	Voltage Range	Min	Typ	Max	unit
	Supply Current, no SFPs	5	9	40	VDC
	Supply Current, max 2 SFP+	21	23	30	mA
		-	500	600	mA
Environmental	Storage Temperature	-40	-	85	°C
	Operating Temperature	0	-	50	°C
Interface	Full speed USB 2.0 compliant Micro-B Device				
External SFP Interfaces		Min	Typ	Max	unit
Data Rate		155	-	12,500	Mb
Recommended Jitter		-	40	-	Psec
Operating Voltage		-	3.3		VDC
Maximum Current		-	-	500	mA
Optical Modules	2 SFP+ non-MSA compliant slots, 1 Dual TX and 1 Dual RX, data rate 0 – 12.5 gigabits				
PHYSICAL SPECIFICATIONS					
Case Dimensions		Length	Width	Height	Weight
FOI-6012	Size 4	4.5 in (114 mm)	1.453 in (37 mm)	2.56 in (65 mm)	2.0 lb (0.9 kg)
TD-6012		4.5 in (114 mm)	1.66 in (42 mm)	2.75 in (70 mm)	0.4 lb (0.2 kg)



18040-412 Guilford Rd. • Annapolis Junction, MD 20701
fiberplex.com • clients@fiberplex.com • 301.604.0100